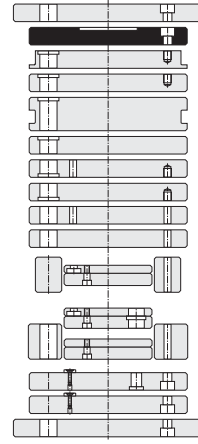
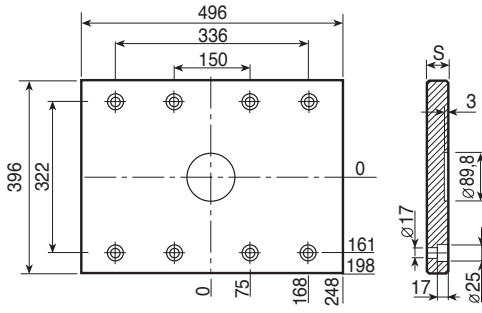




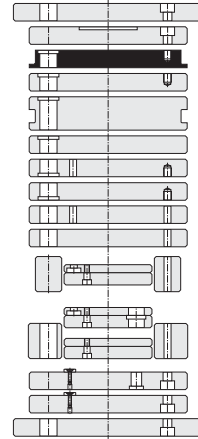
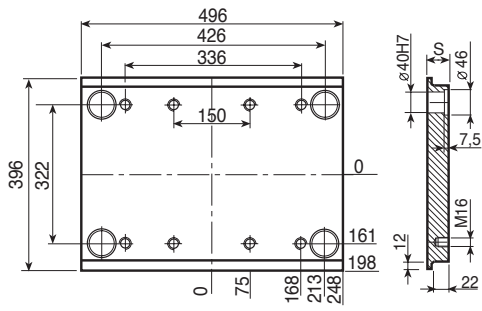
## PS



1.1730

**S**  
26

## PSX



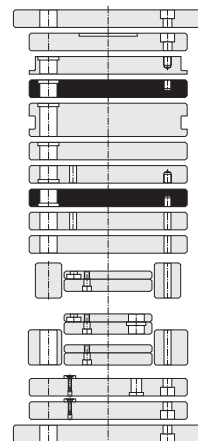
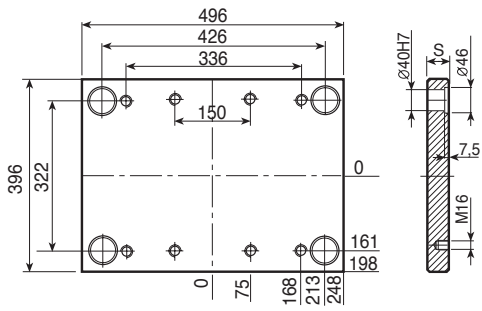
1.1730

**S**  
46  
56  
66  
76  
96  
106

TOOLOX 33

**S**  
46  
56  
66  
76  
96  
106

## PI-Z



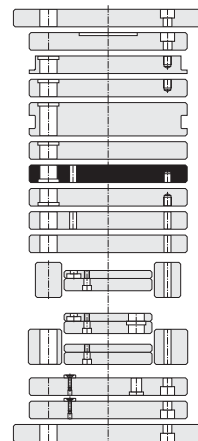
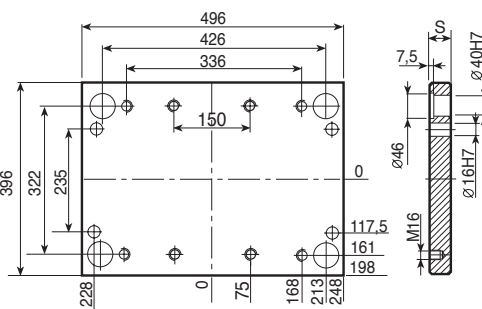
1.1730

**S**  
46  
56  
66  
76  
96  
106  
116  
146

TOOLOX 33

**S**  
46  
56  
66  
76  
96  
106  
116  
146

## PI



1.1730

**S**  
46  
56  
66  
76  
96  
106  
116  
146

TOOLOX 33

**S**  
46  
56  
66  
76  
96  
106  
116  
146



<p><b>PSXE</b></p>	<p><b>1.1730</b></p> <p><b>S</b></p> <p>56 66 76 96 106 116 146</p>	<p><b>TOOLOX 33</b></p> <p><b>S</b></p> <p>56 66 76 96 106 116 146</p>
<p><b>PM</b></p>	<p><b>1.1730</b></p> <p><b>S</b></p> <p>36 46 56 66 76 96 106 116 146</p>	<p><b>TOOLOX 33</b></p> <p><b>S</b></p> <p>36 46 56 66 76 96 106 116 146</p>
<p><b>PX</b></p>	<p><b>1.1730</b></p> <p><b>S</b></p> <p>46</p>	
<p><b>PX-Z</b></p>	<p><b>1.1730</b></p> <p><b>S</b></p> <p>46</p>	

**Esempio di ordinativo**  
**To order**  
**Zum bestellen**

articolo article <b>PSX</b>	serie series <b>396x496</b>	spessore thickness <b>56</b>	materiale material <b>1.1730</b>
-----------------------------------	-----------------------------------	------------------------------------	--



	<p><b>PF</b></p>	<p>1.1730 <b>S</b> 26</p>	
	<p><b>PF-G</b></p>	<p>1.1730 <b>S</b> 26</p>	
	<p><b>PD</b></p>	<p>1.1730 <b>S</b> 26</p>	
	<p><b>D</b></p>	<p>1.1730 <b>S</b> 77 97 117</p>	



<p style="text-align: center;"><b>D-H</b></p>		<p>1.1730</p> <p><b>S</b></p> <p>77</p> <p>97</p> <p>117</p>	
<p style="text-align: center;"><b>TE</b> { TE-S TE-I</p>		<p>1.1730</p> <p><b>S</b><sub>1</sub> - 16</p> <p><b>S</b><sub>2</sub> - 22</p>	
<p style="text-align: center;"><b>TE-Z</b> { TE-Z-S TE-I</p>		<p>1.1730</p> <p><b>S</b><sub>1</sub> - 16</p> <p><b>S</b><sub>2</sub> - 22</p>	
<p style="text-align: center;"><b>TE-G</b> { TE-G-S TE-G-I</p>		<p>1.1730</p> <p><b>S</b><sub>1</sub> - 16</p> <p><b>S</b><sub>2</sub> - 22</p>	

Esempio di ordinativo To order Zum bestellen	articolo article PSX	serie series 396x496	spessore thickness 56	materiale material 1.1730
--	----------------------------	----------------------------	-----------------------------	---------------------------------